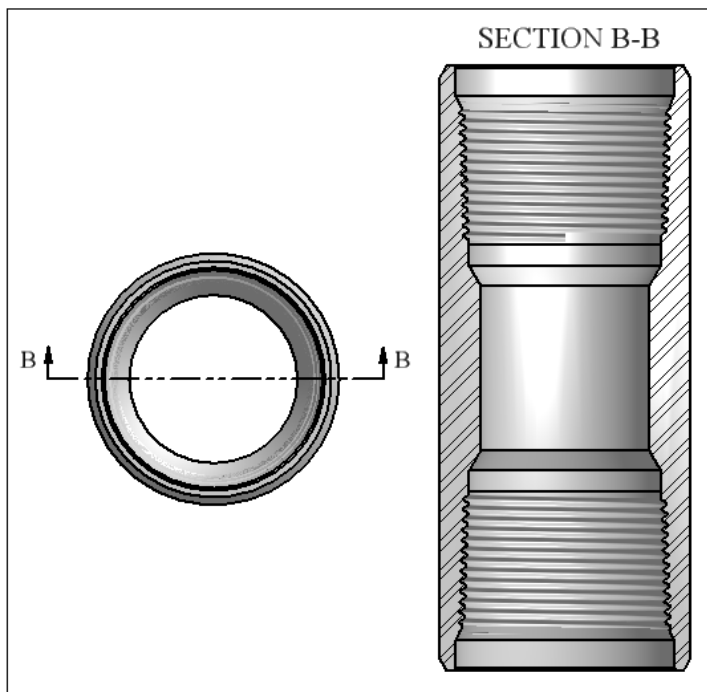
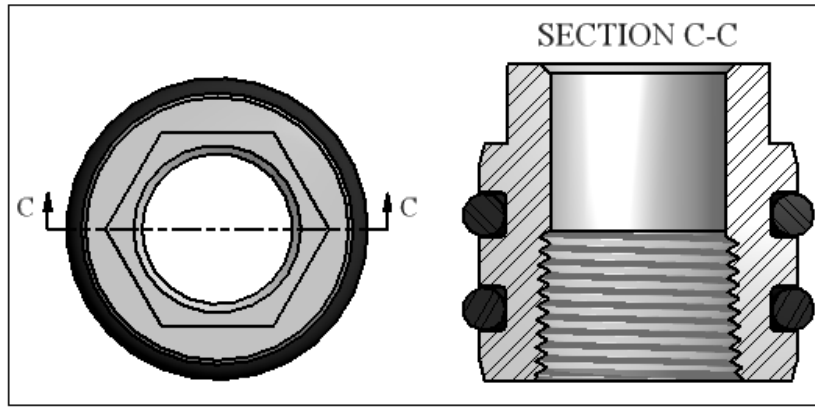


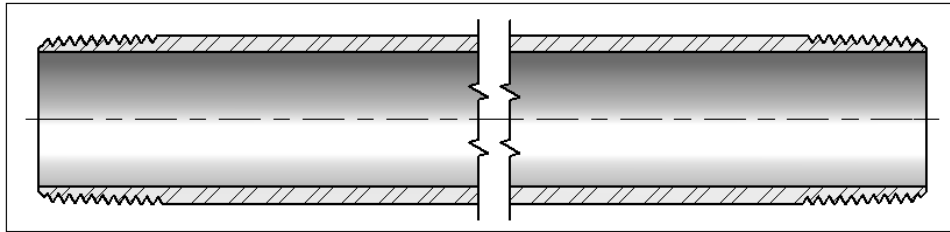
Ported Coupling *Fig. 1*



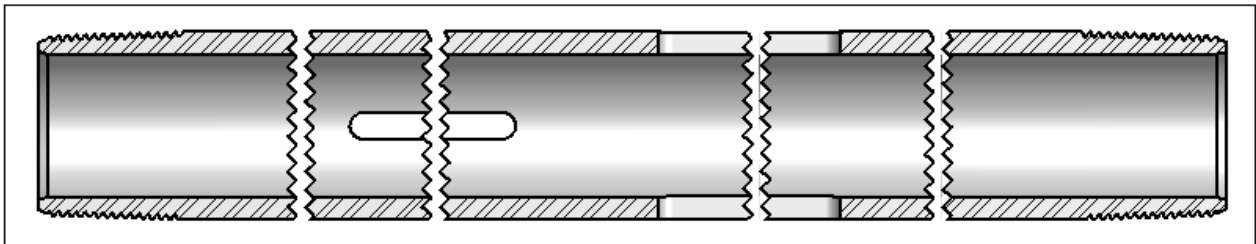
Seal Coupling *Fig. 2*



O-Ring Body *Fig. 3*



Inner Tube *Fig. 4*



Outer Tube *Fig. 5*